

Hot Mini Excavator Series



Item	Product Name	Model	Brand
1	mini crawler excavator	SJ10	SUNCM
2	mini crawler excavator	SJ15	
3	mini crawler excavator	SJ18	
4	mini crawler excavator	SJ20	
5	mini crawler excavator	SJ27	
6	small crawler excavator	SJ35	
7	small crawler excavator	SJ65	
8	small crawler excavator	SJ75	
9	medim-size crawler excavator	SJ135	
10	medim-size crawler excavator	SJ230	
11	mini wheeled excavator	SJ9075	
12	mini wheeled excavator	SJ9150	
13	mini wheeled excavator	SJ9215	

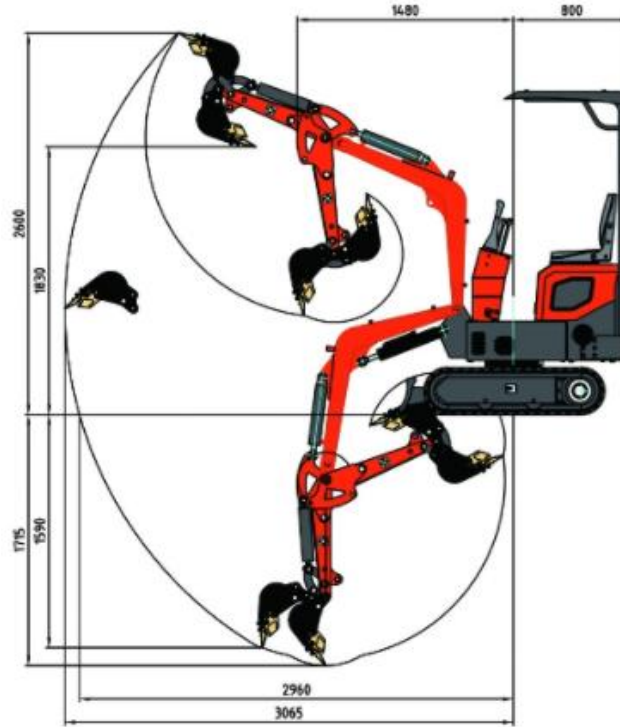
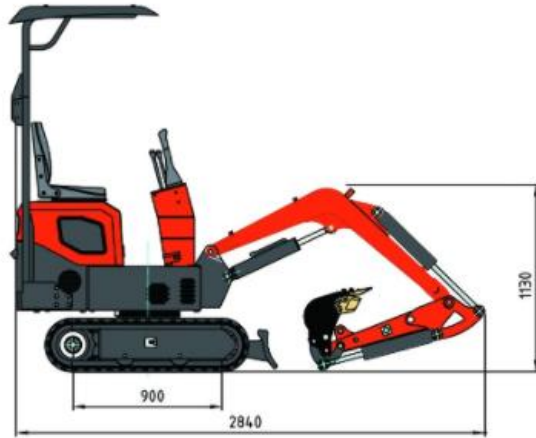
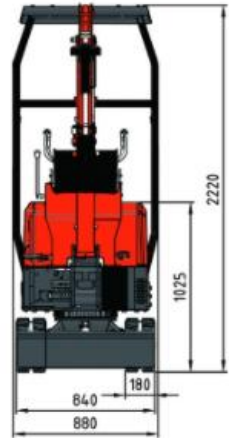


If you are interested in, pls contact me right now:)

Whatsup number: +86 13311861226
 Website: www.1cmcn.com/m.1cmcn.com
 Email: yukisun@1cmcn.com



Mini Crawler Excavator SJ10



Brand: SUNCM

Description:

- Standard KD192F-1 engine with 7kw
- Optional: B&S engine or Kubota engine and swing arm

性能参数 Specifications

挖斗容量(m ³)	Bucket Capacity	0.023
回转速度(rmp)	Swing Speed	0-13
最大爬坡角度(°)	Gradeability	30
挖斗最大挖掘力(KN)	Max.Bucket Digging Force	7.2
斗杆最大挖掘力(KN)	Max.Arm Digging Force	4.6
发动机型号	Engine Model	KD192F-1
功率/转速(KW/rmp)	Power/revolution speed	7/3000
轮胎型号	Tire Model	-
系统压力(MPa)	System Pressure	16

整机尺寸 Machine size

外形尺寸长x宽x高(mm)	Dimension Length*Width*Height	2840x880x2220
驾驶室高(mm)	Cabin Height	2220
轴距(mm)	Axle Base	900
轮(轨)距(mm)	Wheel(track) Distance	660
最小离地间隙(mm)	Minimum ground clearance	132
尾部回转半径(mm)	Tail Swing Radius	800

作业范围 Working range

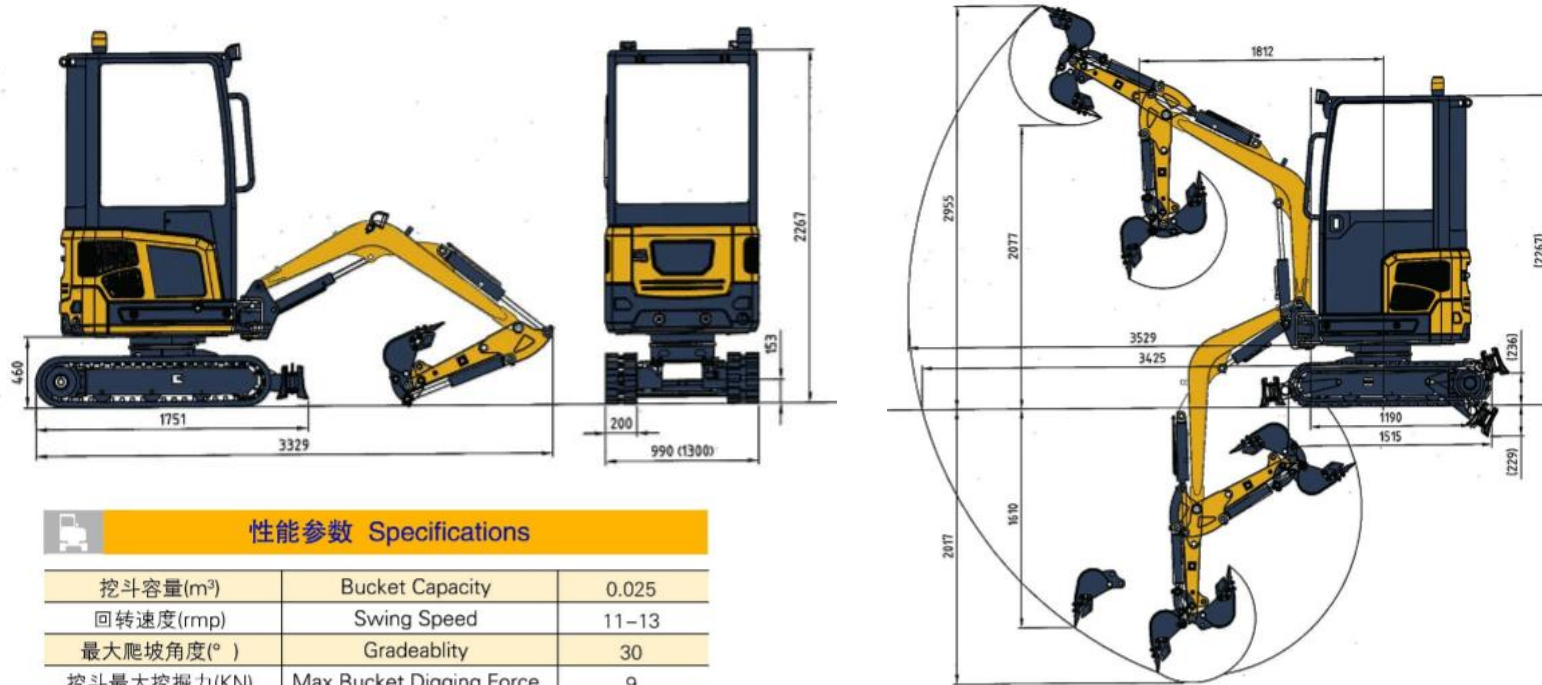
最大挖掘高度(mm)	Max.Digging Height	2600
最大卸载高度(mm)	Max.Dumping Height	1830
最大挖掘深度(mm)	Max.Digging Depth	1715
最大垂直挖深(mm)	Max.Vertical Digging Depth	1590
最大挖掘半径(mm)	Max.Digging Radius	3065
最小回转半径(mm)	Min.Swing Radius	1480



Whatsup number: +86 13311861226
 Website: www.1cmcn.com/m.1cmcn.com
 Email: yukisun@1cmcn.com



Mini Crawler Excavator SJ15



Brand: SUNCM

Description:

- Standard with driver's canopy and swing arm; Kubota engine D722 with 10.2kw
- Optional: driver's cab, flexible tracks, high and low speed, the iron track



性能参数 Specifications

挖斗容量(m³)	Bucket Capacity	0.025
回转速度(rmp)	Swing Speed	11-13
最大爬坡角度(°)	Gradeability	30
挖斗最大挖掘力(KN)	Max.Bucket Digging Force	9
斗杆最大挖掘力(KN)	Max.Arm Digging Force	5.5
发动机型号	Engine Model	D722
功率/转速(KW/rmp)	Power/revolution speed	10.2/2500
轮胎型号	Tire Model	-
系统压力(MPa)	System Pressure	20

整机尺寸 Machine size

总长(运输时)(mm)	Total Length	3329*990/1300*2267
总宽(运输/作业)(mm)	Total Width	990/1300
总高(运输时)(mm)	Total Height	2290
驾驶室高(mm)	Cabin Height	2267
轴距(mm)	Axle Base	1190
轮(轨)距(mm)	Wheel(track) Distance	790
最小离地间隙(mm)	Minimum ground clearance	153
尾部回转半径(mm)	Tail Swing Radius	655

作业范围 Working range

最大挖掘高度(mm)	Max.Digging Height	2955
最大卸载高度(mm)	Max.Dumping Height	2077
最大挖掘深度(mm)	Max.Digging Depth	2017
最大垂直挖深(mm)	Max.Vertical Digging Depth	1610
最大挖掘半径(mm)	Max.Digging Radius	3529
最小回转半径(mm)	Min.Swing Radius	-
推土铲最大离地间隙(mm)	Max.Dozer Blade Lifting Distance	236
推土板沉下最大深度(mm)	Max.Dozer Blade Cutting Distance	229

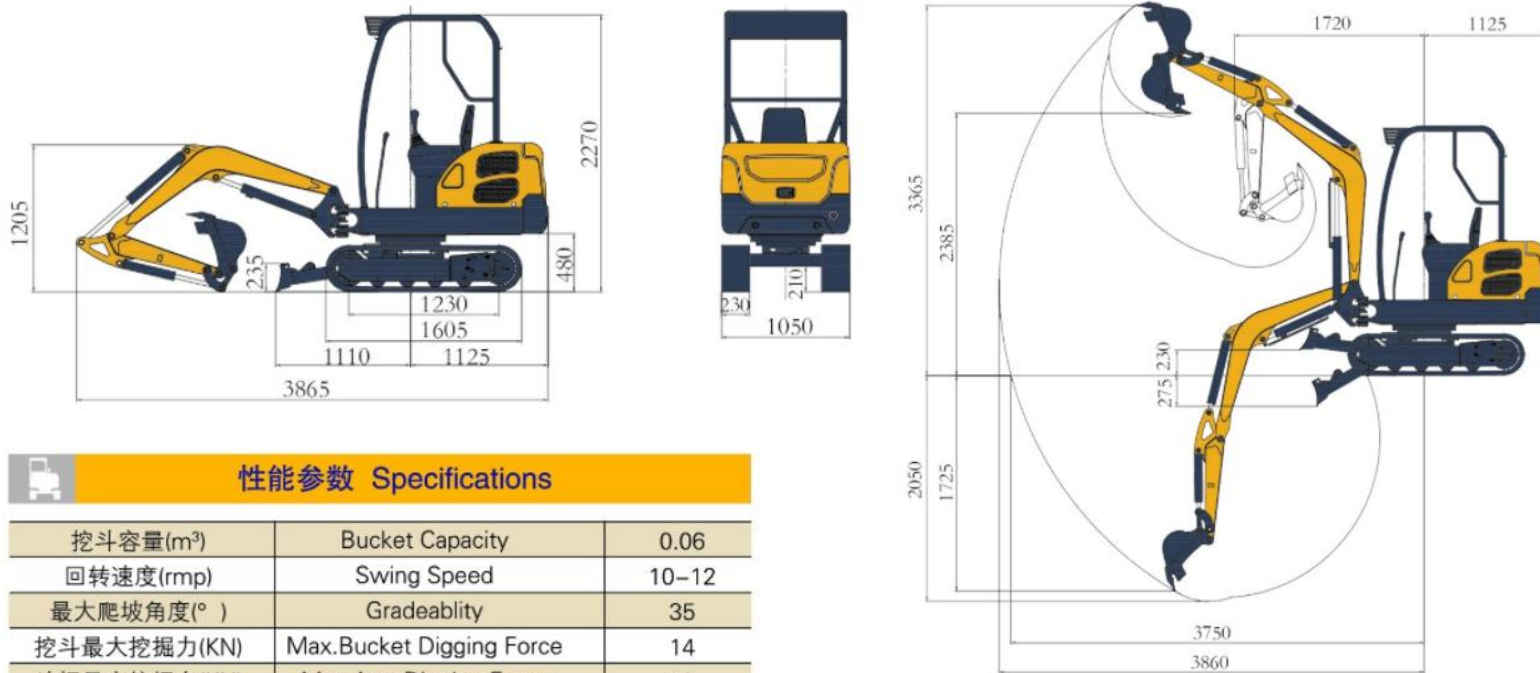
Whatsup number: +86 13311861226

Website: www.1cmcn.com/m.1cmcn.com

Email: yukisun@1cmcn.com



Mini Crawler Excavator SJ18



性能参数 Specifications

挖斗容量(m ³)	Bucket Capacity	0.06
回转速度(rmp)	Swing Speed	10-12
最大爬坡角度(°)	Gradeability	35
挖斗最大挖掘力(KN)	Max.Bucket Digging Force	14
斗杆最大挖掘力(KN)	Max.Arm Digging Force	10
发动机型号	Engine Model	3TE25
功率/转速(KW/rmp)	Power/revolution speed	18.4/2350
轮胎型号	Tire Model	-
系统压力(MPa)	System Pressure	18



整机尺寸 Machine size

外形尺寸长x宽x高(mm)	Dimension Length*Width*Height	3865x1050x2270
驾驶室高(mm)	Cabin Height	2270
轴距(mm)	Sprocket to Idler	1230
轮(轨)距(mm)	Wheel(Track) Gauge	820
最小离地间隙(mm)	Minimum ground clearance	210
尾部回转半径(mm)	Tail Swing Radius	1125



作业范围 Working range

最大挖掘高度(mm)	Max.Digging Height	3365
最大卸载高度(mm)	Max.Dumping Height	2385
最大挖掘深度(mm)	Max.Digging Depth	2050
最大垂直挖深(mm)	Max.Vertical Digging Depth	1725
最大挖掘半径(mm)	Max.Digging Radius	3860
最小回转半径(mm)	Min.Swing Radius	1720
推土铲最大离地间隙(mm)	Max.Dozer Blade Lifting Distance	230
推土板沉下最大深度(mm)	Max.Dozer Blade Cutting Distance	275
动臂摆动角度(左)°	Boom Swing Angle (Left)	75
动臂摆动角度(右)°	Boom Swing Angle (Right)	45

Brand: SUNCM

Description:

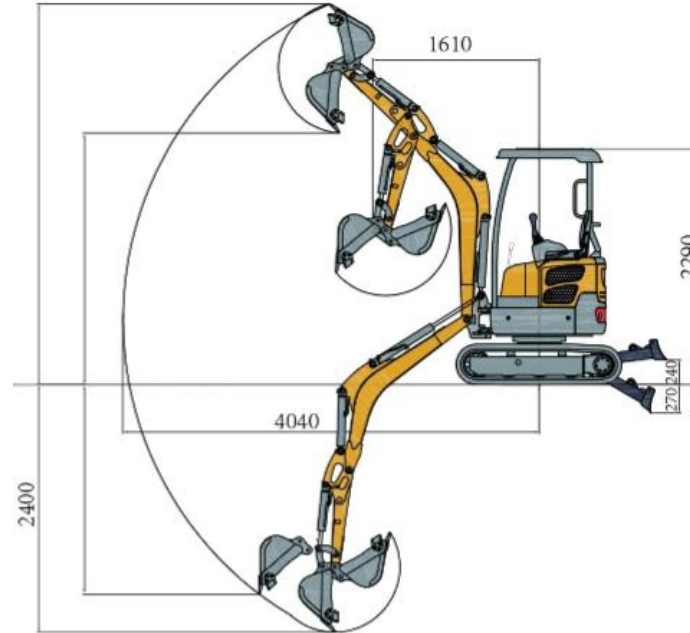
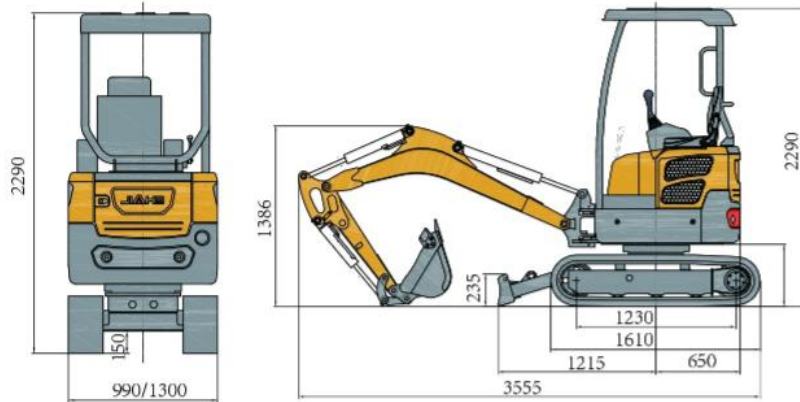
- Standard Laiwu engine 3TE25 with 18.4kw
- Optional: Kubota engine D1105 with 14kw or Perkins engine with 14.7kw, flexible tracks, high and low speeds, driver's cab.



Whatsup number: +86 13311861226
 Website: www.1cmcn.com/m.1cmcn.com
 Email: yukisun@1cmcn.com



Mini Crawler Excavator SJ20



性能参数 Specifications

挖斗容量(m ³)	Bucket Capacity	0.07
回转速度(rmp)	Swing Speed	0-9
最大爬坡角度(°)	Gradeability	35
挖斗最大挖掘力(KN)	Max.Bucket Digging Force	18
斗杆最大挖掘力(KN)	Max.Arm Digging Force	11
发动机型号	Engine Model	KUBOTA D1105
功率/转速(KW/rmp)	Power/revolution speed	14.2/2000
轮胎型号	Tire Model	
系统压力(MPa)	System Pressure	21.5

作业范围 Working range

最大挖掘高度(mm)	Max.Digging Height	3700
最大卸载高度(mm)	Max.Dumping Height	2440
最大挖掘深度(mm)	Max.Digging Depth	2400
最大垂直挖深(mm)	Max.Vertical Digging Depth	2025
最大挖掘半径(mm)	Max.Digging Radius	4040
最小回转半径(mm)	Min.Swing Radius	1610
推土铲最大离地间隙(mm)	Max.Dozer Blade Lifting Distance	240
推土板沉下最大深度(mm)	Max.Dozer Blade Cutting Distance	270

整机尺寸 Machine size

总长(运输时)(mm)	Total Length	3555
总宽(运输/作业)(mm)	Total Width	990/1300
总高(运输时)(mm)	Total Height	2290
驾驶室高(mm)	Cabin Height	2290
轴距(mm)	Axle Base	1230
轮(轨)距(mm)	Wheel(track) Distance	760
最小离地间隙(mm)	Minimum ground clearance	150
尾部回转半径(mm)	Tail Swing Radius	650

Brand: SUNCM

Description:

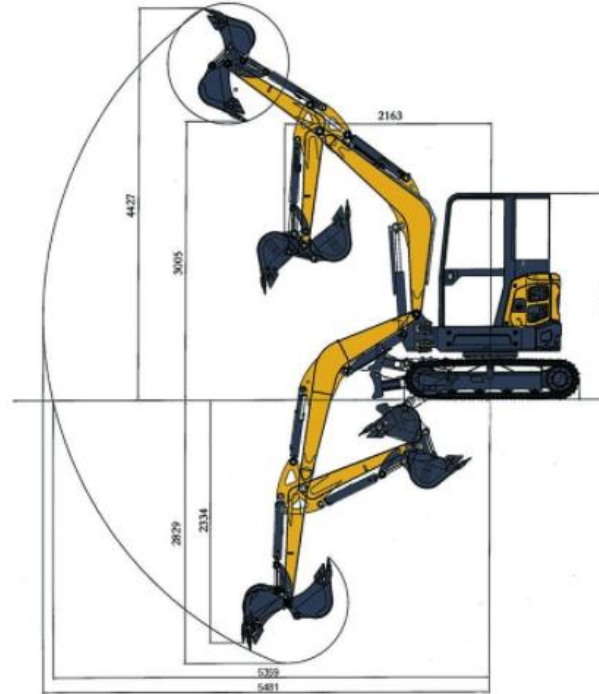
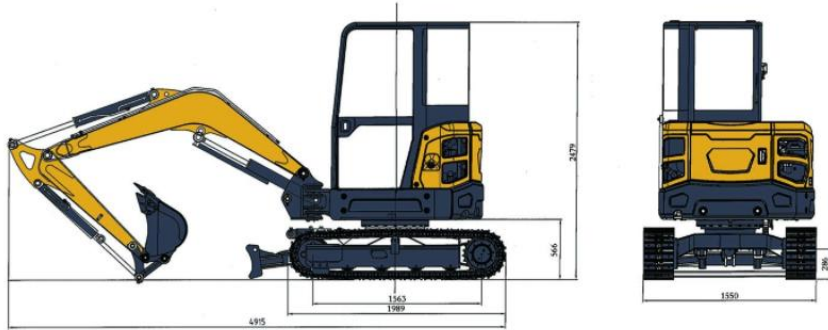
- Standard variable displacement piston pump
- Optional Perkins engine 403J with 14.7KW or Kubota engine D1105 with 14kw



Whatsup number: +86 13311861226
 Website: www.1cmcn.com/m.1cmcn.com
 Email: yukisun@1cmcn.com



Mini Crawler Excavator SJ27



Brand: SUNCM

Description:

- Standard engine D1105-E4B
- Optional: driver's cab.

性能参数 Specifications

挖斗容量(m ³)	Bucket Capacity	0.1
回转速度(rmp)	Swing Speed	1-10
最大爬坡角度(°)	Gradeability	58
挖斗最大挖掘力(KN)	Max.Bucket Digging Force	23.5
斗杆最大挖掘力(KN)	Max.Arm Digging Force	14
发动机型号	Engine Model	D1105-E4B
功率/转速(KW/rmp)	Power/revolution speed	14/2000
轮胎型号	Tire Model	-
系统压力(MPa)	System Pressure	20.5

整机尺寸 Machine size

外形尺寸长x宽x高(mm)	Dimension Length*Width*Height	4195x1550x2480
驾驶室高(mm)	Cabin Height	2480
轴距(mm)	Axle Base	1550
轮(轨)距(mm)	Wheel(track) Distance	1250
最小离地间隙(mm)	Minimum ground clearance	285
尾部回转半径(mm)	Tail Swing Radius	860

作业范围 Working range

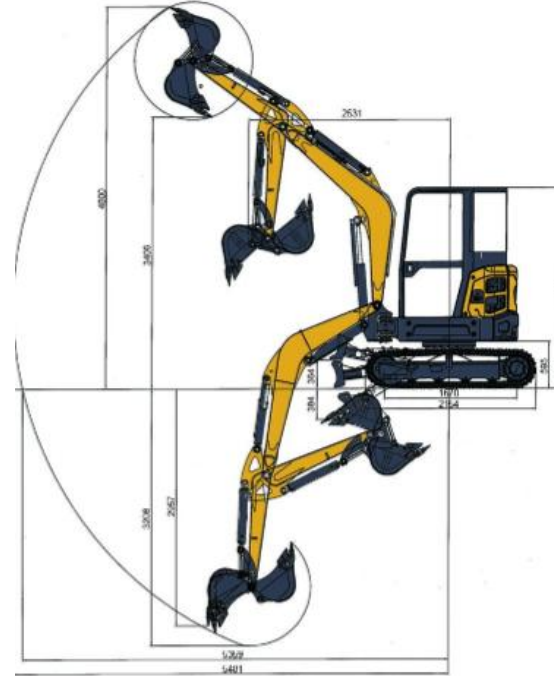
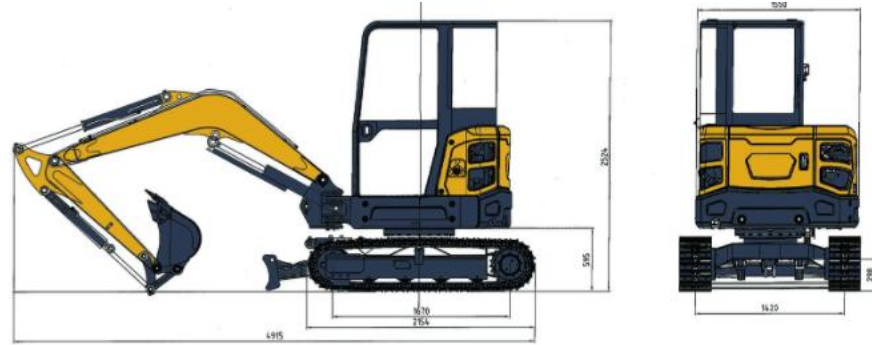
最大挖掘高度(mm)	Max.Digging Height	4427
最大卸载高度(mm)	Max.Dumping Height	3005
最大挖掘深度(mm)	Max.Digging Depth	2830
最大垂直挖深(mm)	Max.Vertical Digging Depth	2500
最大挖掘半径(mm)	Max.Digging Radius	4835
最小回转半径(mm)	Min.Swing Radius	2160
推土铲最大离地间隙(mm)	Max.Dozer Blade Lifting Distance	308
推土板沉下最大深度(mm)	Max.Dozer Blade Cutting Distance	360



Whatsup number: +86 13311861226
 Website: www.1cmcn.com/m.1cmcn.com
 Email: yukisun@1cmcn.com



Mini Crawler Excavator SJ35



Brand: SUNCM

Description:

- Standard iron tracks
- Kubota engine D1703 18.2kw, with swing arm, driver's cab, air conditioner and radio
- Optional rubber tracks



Whatsup number: +86 13311861226
 Website: www.1cmcn.com/m.1cmcn.com
 Email: yukisun@1cmcn.com

性能参数 Specifications

挖斗容量(m³)	Bucket Capacity	0.12
回转速度(rmp)	Swing Speed	1-11
最大爬坡角度(°)	Gradeability	30
挖斗最大挖掘力(KN)	Max.Bucket Digging Force	30
斗杆最大挖掘力(KN)	Max.Arm Digging Force	18
发动机型号	Engine Model	KUBOTAD1703
功率/转速(KW/rmp)	Power/revolution speed	18.2/2200
轮胎型号	Tire Model	-
系统压力(MPa)	System Pressure	22.5

作业范围 Working range

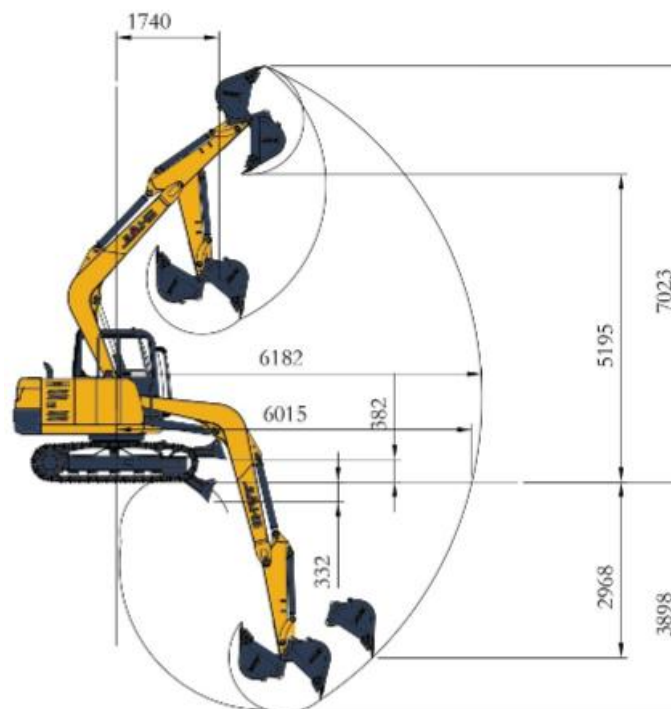
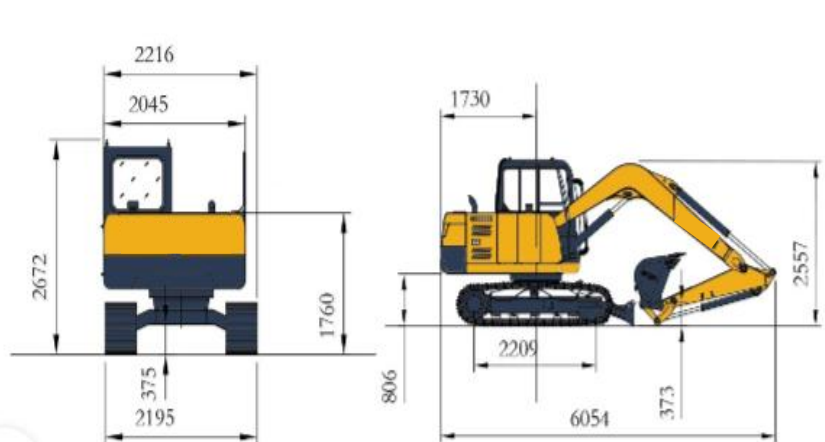
最大挖掘高度(mm)	Max.Digging Height	4800
最大卸载高度(mm)	Max.Dumping Height	3406
最大挖掘深度(mm)	Max.Digging Depth	3208
最大垂直挖深(mm)	Max.Vertical Digging Depth	2957
最大挖掘半径(mm)	Max.Digging Radius	5480
最小回转半径(mm)	Min.Swing Radius	2530
推土铲最大离地间隙(mm)	Max.Dozer Blade Lifting Distance	365
推土板沉下最大深度(mm)	Max.Dozer Blade Cutting Distance	385

整机尺寸 Machine size

总长(运输时)(mm)	Total Length	4915
总宽(运输/作业)(mm)	Total Width	1720
总高(运输时)(mm)	Total Height	2525
驾驶室高(mm)	Cabin Height	2290
轴距(mm)	Axle Base	1670
轮(轨)距(mm)	Wheel(track) Distance	1420
最小离地间隙(mm)	Minimum ground clearance	295
尾部回转半径(mm)	Tail Swing Radius	870



Mini Crawler Excavator SJ75



Brand: SUNCM

Description:

- Option 1: Yanmar national three engine 4TNV94L with 36.2kw
- Option 2: Kubota engine Euro 5 (EPA) V2607 with 43kw



性能参数 Specifications

挖斗容量(m ³)	Bucket Capacity	0.28
回转速度(rmp)	Swing Speed	0-11
最大爬坡角度(°)	Gradeability	35
挖斗最大挖掘力(KN)	Max.Bucket Digging Force	56
斗杆最大挖掘力(KN)	Max.Arm Digging Force	38
发动机型号	Engine Model	KUBOTA V2607
功率/转速(KW/rmp)	Power/revolution speed	42.4/2000
轮胎型号	Tire Model	-
系统压力(MPa)	System Pressure	27

整机尺寸 Machine size

外形尺寸长x宽x高(mm)	Dimension Length*Width*Height	6054x2216x2672
驾驶室高(mm)	Cabin Height	2672
轴距(mm)	Axle Base	2209
轮(轨)距(mm)	Wheel(track) Distance	1745
最小离地间隙(mm)	Minimum ground clearance	375
尾部回转半径(mm)	Tail Swing Radius	1730

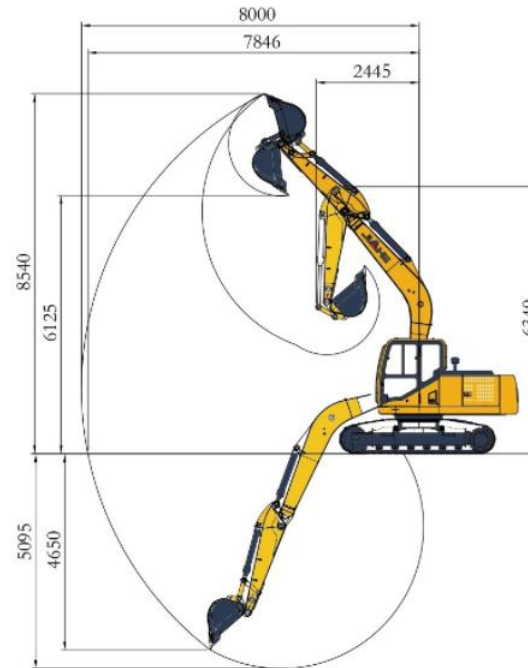
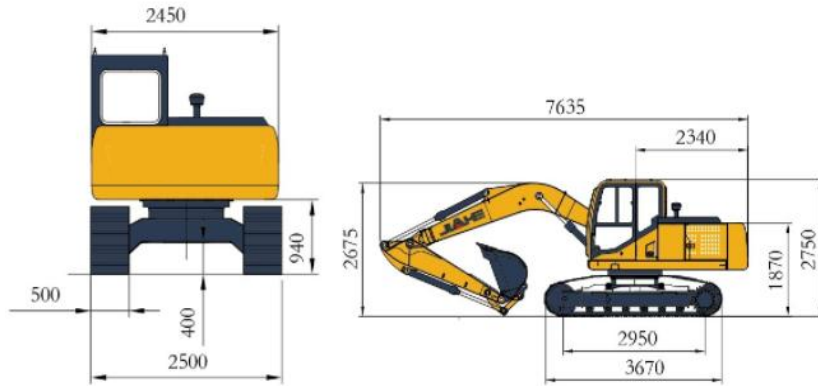
作业范围 Working range

最大挖掘高度(mm)	Max.Digging Height	7023
最大卸载高度(mm)	Max.Dumping Height	5195
最大挖掘深度(mm)	Max.Digging Depth	3898
最大垂直挖深(mm)	Max.Vertical Digging Depth	2968
最大挖掘半径(mm)	Max.Digging Radius	6182
最小回转半径(mm)	Min.Swing Radius	1740
推土铲最大离地间隙(mm)	Max.Dozer Blade Lifting Distance	382
推土板沉下最大深度(mm)	Max.Dozer Blade Cutting Distance	332

Whatsup number: +86 13311861226
 Website: www.1cmcn.com/m.1cmcn.com
 Email: yukisun@1cmcn.com



Mini Crawler Excavator SJ135



Brand: SUNCM

Description:

- Option 1: National Three Yuchai;
- Option 2: Weichai National Four engine



Whatsup number: +86 13311861226
 Website: www.1cmcn.com/m.1cmcn.com
 Email: yukisun@1cmcn.com

性能参数 Specifications

挖斗容量(m ³)	Bucket Capacity	0.6
回转速度(rmp)	Swing Speed	0-12
最大爬坡角度(°)	Gradeability	30
挖斗最大挖掘力(KN)	Max.Bucket Digging Force	91
斗杆最大挖掘力(KN)	Max.Arm Digging Force	55
发动机型号	Engine Model	ISUZU 4JJ1
功率/转速(KW/rmp)	Power/revolution speed	73/2000
轮胎型号	Tire Model	
系统压力(MPa)	System Pressure	32

整机尺寸 Machine size

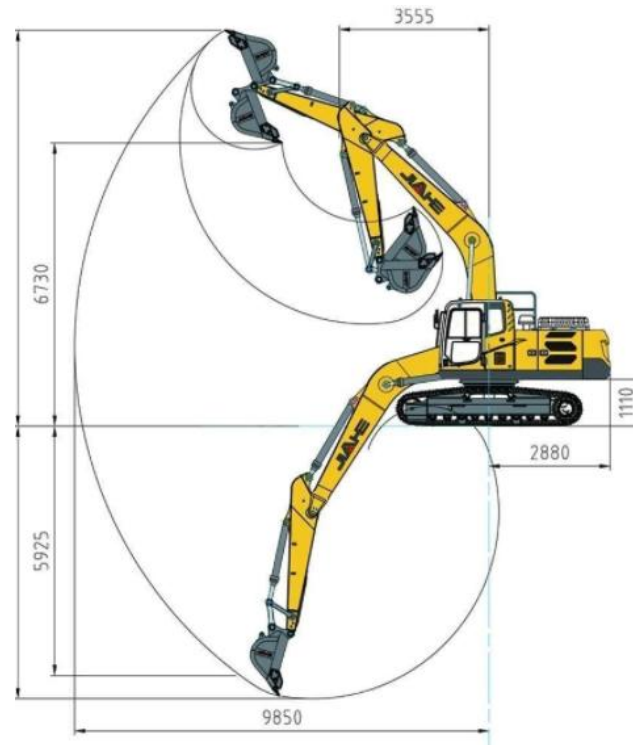
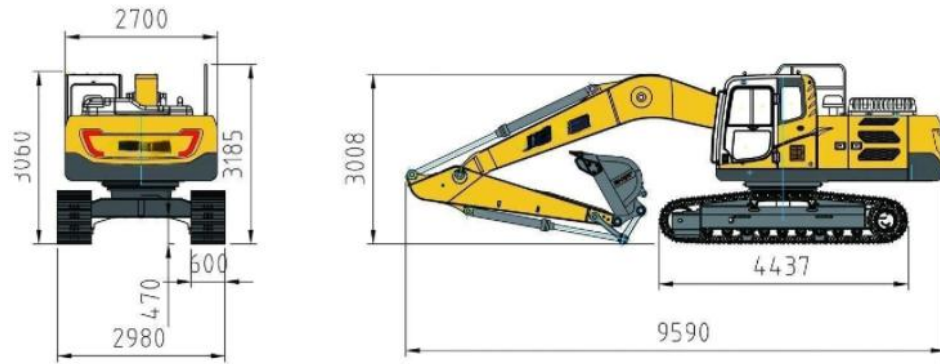
外形尺寸长x宽x高(mm)	Dimension Length*Width*Height	7635x2500x2750
驾驶室高(mm)	Cabin Height	2750
轴距(mm)	Axle Base	2950
轮(轨)距(mm)	Wheel(track) Distance	2000
最小离地间隙(mm)	Minimum ground clearance	400
尾部回转半径(mm)	Tail Swing Radius	2340

作业范围 Working range

最大挖掘高度(mm)	Max.Digging Height	8540
最大卸载高度(mm)	Max.Dumping Height	6125
最大挖掘深度(mm)	Max.Digging Depth	5095
最大垂直挖深(mm)	Max.Vertical Digging Depth	4650
最大挖掘半径(mm)	Max.Digging Radius	8000
最小回转半径(mm)	Min.Swing Radius	2445



Mini Crawler Excavator SJ230



Brand: SUNCM

Description:

- Standard Dongkang 6BTAA5.9-C178 national second engine with 133KW
- Optional Cummins QSB7 (124kw) national third engine without crushing line or optional Cummins B5.9 national fourth engine

性能参数 Specifications		
挖斗容量(m ³)	Bucket Capacity	1.1
回转速度(rmp)	Swing Speed	11-13
最大爬坡角度(°)	Gradeability	30
挖斗最大挖掘力(KN)	Max.Bucket Digging Force	140
斗杆最大挖掘力(KN)	Max.Arm Digging Force	99
发动机型号	Engine Model	QS87
功率/转速(KW/rmp)	Power/revolution speed	124/2050
轮胎型号	Tire Model	-
系统压力(MPa)	System Pressure	34

整机尺寸 Machine size		
外形尺寸长x宽x高(mm)	Dimension Length*Width*Height	9590x2980x3185
驾驶室高(mm)	Cabin Height	3060
轴距(mm)	Axle Base	3655
轮(轨)距(mm)	Wheel(track) Distance	2380
最小离地间隙(mm)	Minimum ground clearance	470
尾部回转半径(mm)	Tail Swing Radius	2880

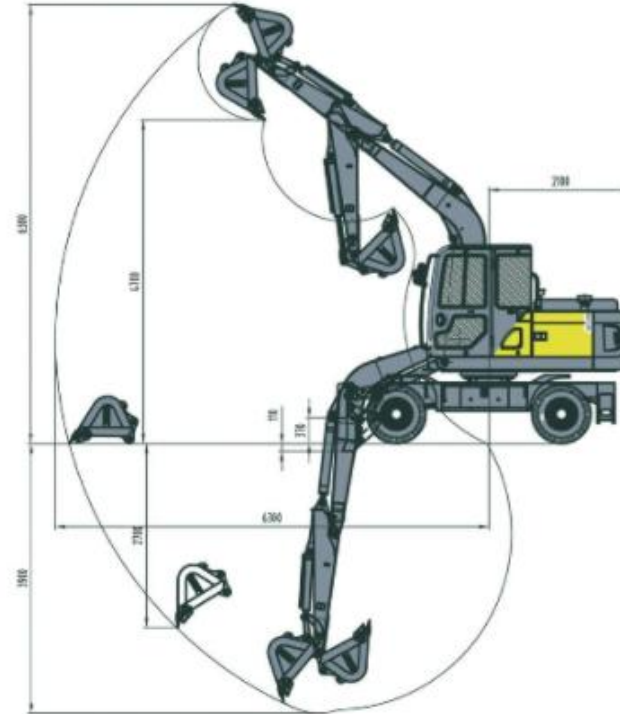
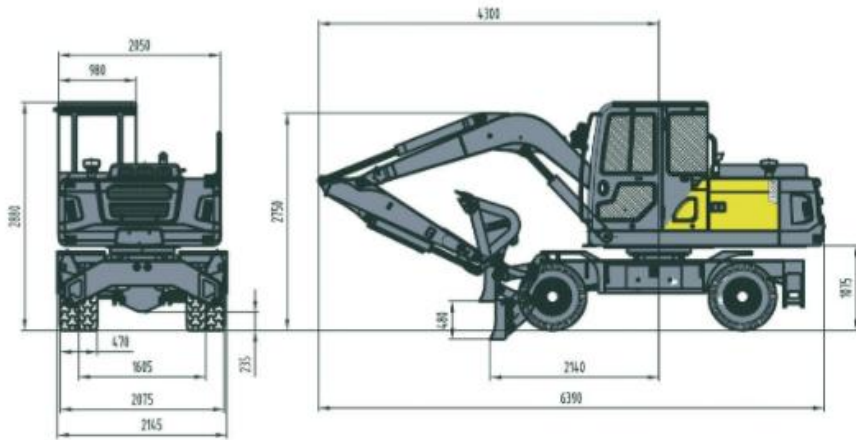
作业范围 Working range		
最大挖掘高度(mm)	Max.Digging Height	9410
最大卸载高度(mm)	Max.Dumping Height	6730
最大挖掘深度(mm)	Max.Digging Depth	6480
最大垂直挖深(mm)	Max.Vertical Digging Depth	5925
最大挖掘半径(mm)	Max.Digging Radius	9850
最小回转半径(mm)	Min.Swing Radius	3555



Whatsup number: +86 13311861226
 Website: www.1cmcn.com/m.1cmcn.com
 Email: yukisun@1cmcn.com



Mini Wheeled Excavator SJ9080



Brand: SUNCM

Description:

- Nation III Yuchai YC4DK85 engine with 62.5KW, Mechanical walking and Variable displacement piston pump

性能参数 Specifications		
挖斗容量(m ³)	Bucket Capacity	0.21
回转速度(rmp)	Swing Speed	0-12
最大爬坡角度(°)	Gradeability	25
挖斗最大挖掘力(KN)	Max.Bucket Digging Force	45
斗杆最大挖掘力(KN)	Max.Arm Digging Force	36
发动机型号	Engine Model	YCF3065-T480
功率/转速(KW/rmp)	Power/revolution speed	48/2200
轮胎型号	Tire Model	8.25-16
系统压力(MPa)	System Pressure	24

整机尺寸 Machine size		
外形尺寸长x宽x高(mm)	Dimension Length*Width*Height	6390X2175X2880
驾驶室高(mm)	Cabin Height	2880
轴距(mm)	Axle Base	2400
轮(轨)距(mm)	Wheel(track) Distance	1675
最小离地间隙(mm)	Minimum ground clearance	260
尾部回转半径(mm)	Tail Swing Radius	2080

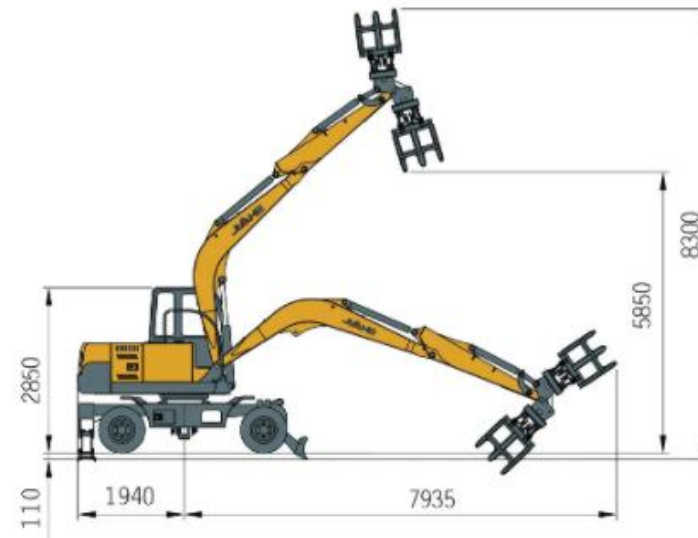
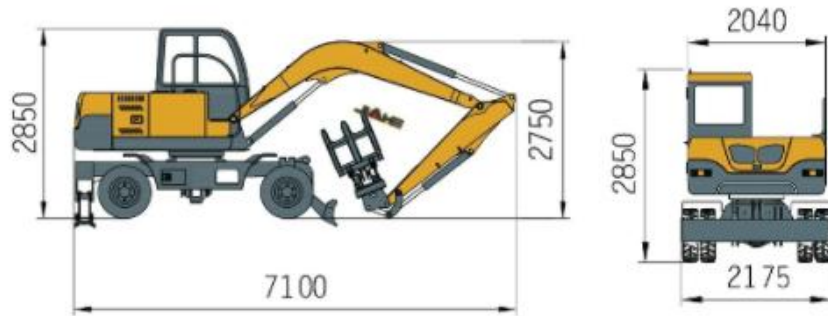
作业范围 Working range		
最大挖掘高度(mm)	Max.Digging Height	6380
最大卸载高度(mm)	Max.Dumping Height	4700
最大挖掘深度(mm)	Max.Digging Depth	3900
最大垂直挖深(mm)	Max.Vertical Digging Depth	2700
最大挖掘半径(mm)	Max.Digging Radius	6300
最小回转半径(mm)	Min.Swing Radius	2400
推土铲最大离地间隙(mm)	Max.Dozer Blade Lifting Distance	370
推土板沉下最大深度(mm)	Max.Dozer Blade Cutting Distance	110



Whatsup number: +86 13311861226
 Website: www.1cmcn.com/m.1cmcn.com
 Email: yukisun@1cmcn.com



Mini Wheel Grab Loader SJ9088



性能参数 Specifications

发动机功率(Kw/rmp)	Engine Power	62.5/2200
系统压力(Mpa)	System Pressure	24
先导压力(Mpa)	Pilot Hydraulic Pressure	3.5-4
爬坡度(°)	Gradeability	20
行走速度(Km/h)	Travelling Speed	30
回转速度(Rmp)	Swing Speed	0-11
燃油箱容量(L)	Fuel Tank Capacity	100
液压油箱容量(L)	Hydraulic Tank Capacity	90
轮胎型号	Tire Model	8.25-16

整机尺寸 Machine size

总宽度(mm)	Overall Width	2175
总高度(mm)	Overall Height	2850
总长度(mm)	Overall Length During Transportation	7100
轴距(mm)	Axle base	2400
最小高地间隙(mm)	Minimum Ground Clearance	235
后端回转半径(mm)	Rear rotation radius	1940

作业范围 Working range

动臂长度(mm)	Boom Length	4100
斗杆长度(mm)	Arm Length	2200
最大抓取高度(mm)	Maximum Loading Distance	8300
最大卸载高度(mm)	Maximum Discharge Height	5850
最大抓取质量(kg)	Maximum Loading Weight	800
最大抓取半径(mm)	Maximum Grab Radius	7935
抓具最大开口尺寸(mm)	Wood Grapple Maximum Opening size	1300
抓具最小开口尺寸(mm)	Wood Grapple Minimum Opening size	120

Brand: SUNCM

Description:

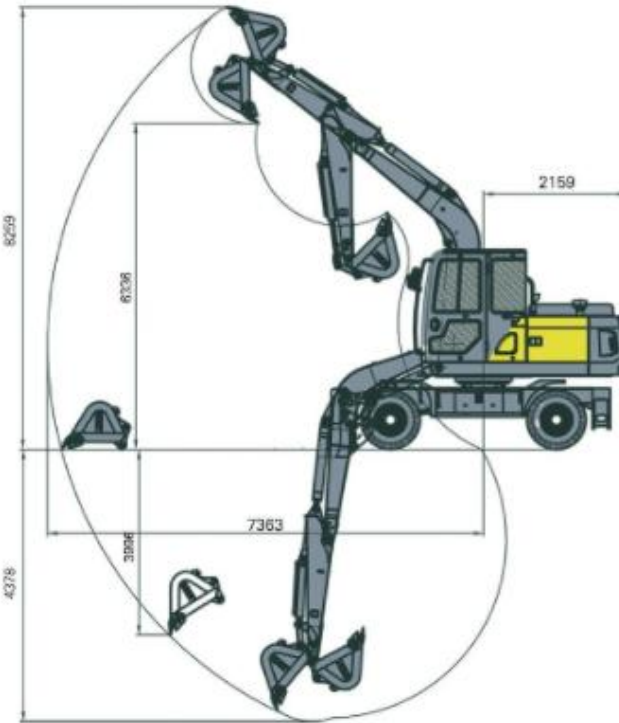
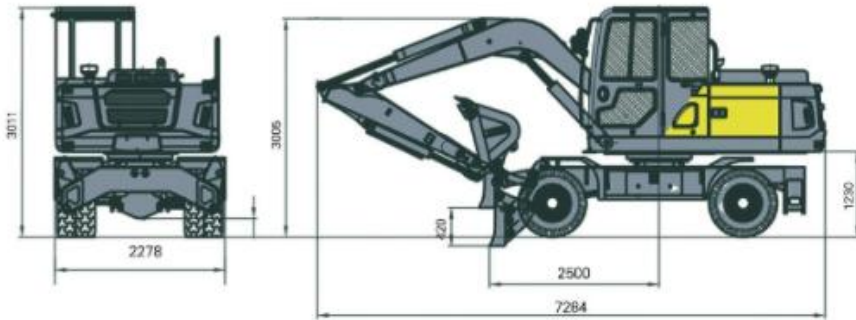
- Standard wheel with holder leg, Nation III Yuchai YC4DK85 engine with 62.5KW, Mechanical walking and Variable displacement piston pump



Whatsup number: +86 13311861226
 Website: www.1cmcn.com/m.1cmcn.com
 Email: yukisun@1cmcn.com



Mini Wheeled Excavator SJ9150



性能参数 Specifications

挖斗容量(m ³)	Bucket Capacity	0.4
回转速度(rmp)	Swing Speed	11
最大爬坡角度(°)	Gradeability	25
挖斗最大挖掘力(KN)	Max.Bucket Digging Force	75
斗杆最大挖掘力(KN)	Max.Arm Digging Force	52
发动机型号	Engine Model	YC4DK100
功率/转速(KW/rmp)	Power/revolution speed	74/2200
轮胎型号	Tire Model	9.00-20
系统压力(MPa)	System Pressure	35

整机尺寸 Machine size

外形尺寸长x宽x高(mm)	Dimension Length*Width*Height	7285*2270*3010
驾驶室高(mm)	Cabin Height	3010
轴距(mm)	Axle Base	2500
轮(轨)距(mm)	Wheel(track) Distance	1250
最小离地间隙(mm)	Minimum ground clearance	335
尾部回转半径(mm)	Tail Swing Radius	2160

作业范围 Working range

最大挖掘高度(mm)	Max.Digging Height	8300
最大卸载高度(mm)	Max.Dumping Height	6380
最大挖掘深度(mm)	Max.Digging Depth	4330
最大垂直挖深(mm)	Max.Vertical Digging Depth	3950
最大挖掘半径(mm)	Max.Digging Radius	7580
最小回转半径(mm)	Min.Swing Radius	2160
推土铲最大离地间隙(mm)	Max.Dozer Blade Lifting Distance	385
推土板沉下最大深度(mm)	Max.Dozer Blade Cutting Distance	70

Brand: SUNCM

Description:

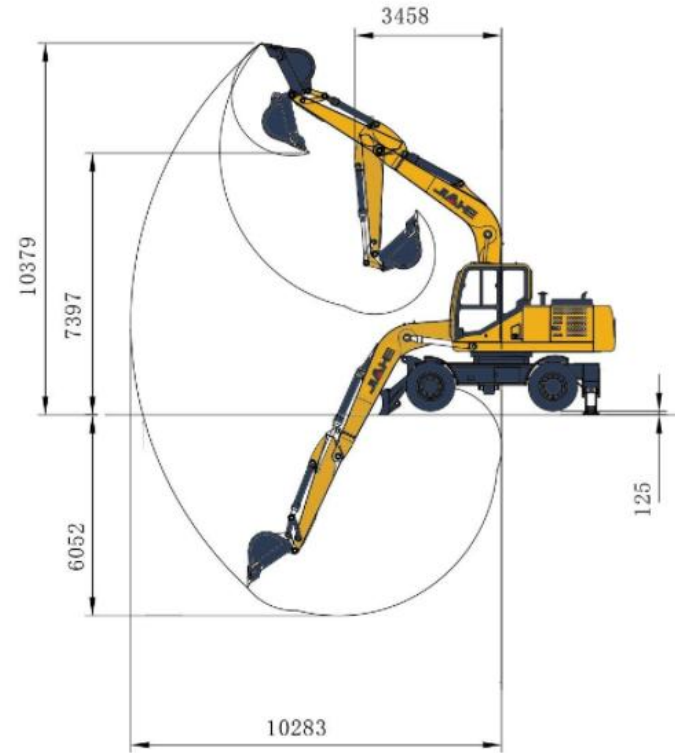
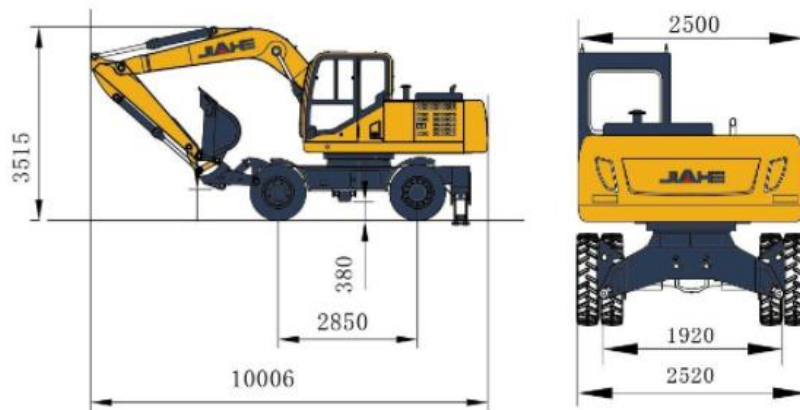
- Option 1: Cummins National III QSF3.8 with 104kw;
- Option 2: National II 6BTAA5.9 -C178 with 133kw.



Whatsup number: +86 13311861226
 Website: www.1cmcn.com/m.1cmcn.com
 Email: yukisun@1cmcn.com



Mini Wheeled Excavator SJ9215



Brand: SUNCM

Description:

- Cummins engine 6BTAA5.9 with 153kW, National II six-cylinder engine



性能参数 Specifications

挖斗容量(m ³)	Bucket Capacity	1.1
回转速度(rmp)	Swing Speed	0-12
最大爬坡角度(°)	Gradeability	25
挖斗最大挖掘力(KN)	Max.Bucket Digging Force	140
斗杆最大挖掘力(KN)	Max.Arm Digging Force	100
发动机型号	Engine Model	6BTAA5.9
功率/转速(KW/rmp)	Power/revolution speed	153/2000
轮胎型号	Tire Model	10.00-20
系统压力(MPa)	System Pressure	34

整机尺寸 Machine size

外形尺寸长x宽x高(mm)	Dimension Length*Width*Height	10006x2500x3515
驾驶室高(mm)	Cabin Height	3216
轴距(mm)	Axle Base	2850
轮(轨)距(mm)	Wheel(track) Distance	1920
最小离地间隙(mm)	Minimum ground clearance	380
尾部回转半径(mm)	Tail Swing Radius	2412

作业范围 Working range

最大挖掘高度(mm)	Max.Digging Height	10329
最大卸载高度(mm)	Max.Dumping Height	7397
最大挖掘深度(mm)	Max.Digging Depth	6052
最大垂直挖深(mm)	Max.Vertical Digging Depth	5682
最大挖掘半径(mm)	Max.Digging Radius	10283
最小回转半径(mm)	Min.Swing Radius	3458
推土铲最大离地间隙(mm)	Max.Dozer Blade Lifting Distance	410
推土板沉下最大深度(mm)	Max.Dozer Blade Cutting Distance	125

Whatsup number: +86 13311861226
 Website: www.1cmcn.com/m.1cmcn.com
 Email: yukisun@1cmcn.com